
MOON **KITCHEN SOLID M-2**

EN

Product card



Live light at
vandermoon.com





Since 1993, Vitberg has been producing medical devices
for rehabilitation, treatment, cosmetology and sports.
Its products are known and appreciated.

Medicine and technology are not our only passion,
we also love exploring the world.

We have translated the experience gained over the years into
the production of accessories for people like us.
This is how the Van Der Moon brand was born.

Made in Poland, EU.
www.vandermoon.com

General information

Moon Kitchen Solid is an advanced camper kitchen designed for vans and campervans. The structure is made entirely of 1.5 mm thick aluminium, with each element precisely cut and connected with aircraft rivets for maximum strength and resistance to vibration while driving.

Available in three configurations: **Shell** for users who prefer their own finishes, **Front** with ultra-thin HPL fronts with hidden screws for a professional look, and **Drawer** with an additional drawer above the refrigerator.

The access system uses a proven lever handle for secure closure while driving and immediate access to contents. The adjustable rear wall allows for optimal fit to the vehicle's ribbing, recovering up to 4 cm of space inside the car.

The reinforced construction with guides supports drawer loads of up to 20 kg each. Smart drawers with aluminium dividers offer 3 adjustable spaces in each section. A dedicated compartment accommodates all water, electrical, and gas installations with an aluminium panel for sockets.

Numerous mounting points to the floor and side wall ensure secure integration with the vehicle. Quick-release connectors and airline rails allow the kitchen to be completely dismantled in a few minutes without losing functionality.

All production processes are carried out in a Polish factory with rigorous quality control at every stage.

Universal product – for every car model



Moon Kitchen Solid Model 2, version Front, Drawer

Available **versions** and **configurations**

		MODEL
		Model 2 (KM2)
DIMENSIONS	width	1150 mm
	height	900 mm
	depth	490 mm
VERSION	Shell version without fronts, without worktop, with recess	●
	Front version with fronts, without worktop, with recess	●
	Drawer version with low under-counter drawer	●
OTHER	Countertop worktop for the selected model	●
	Countertop with sink worktop with sink, on the right or left side	●
COMPATIBILITY WITH REFRIGERATOR MODEL	Dometic RC104T 70L	●
	Dometic CFX5 55L	-
	Yolco RL85	-
	Indel B Slim70L	●
	Dometic 10.4 70L	●

Lever lock included in the set, fits **6 mm** thick worktops.



Model 2

Shell

Size: 1150x900x490 mm

Weight: 32.9 kg (+/-300g)

Available colours:



Model 2

Front

Size: 1150x900x490 mm

Weight: 39.6 kg (+/-300g)

Available colours:



Model 2

Shell Drawer

Size: 1150x900x490 mm

Weight: 34 kg (+/-300g)

Available colours:





Model 2

Front **Drawer**

Size: 1150x900x490 mm

Weight: 41 kg (+/-300g)

Available colours:



Model 2

Front **Drawer** **Countertop**

Size: 1153x906x498 mm

Weight: 46.6 kg (+/- 300g)

Available colours:



Model 2

Front **Drawer** **Countertop with sink**

Size: 1153x906x498 mm

Weight: 47.7 kg (+/-300g)

Available colours:

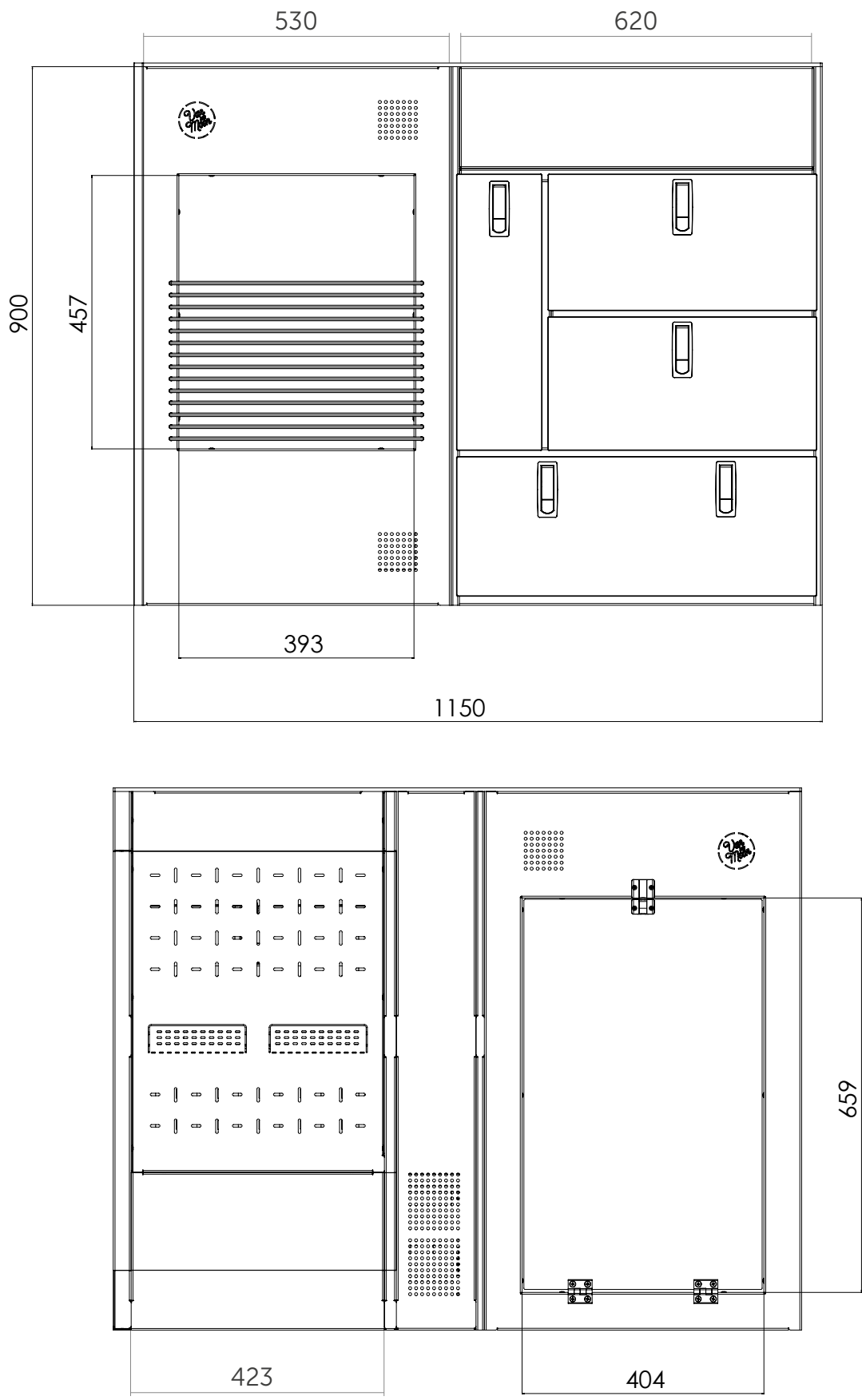


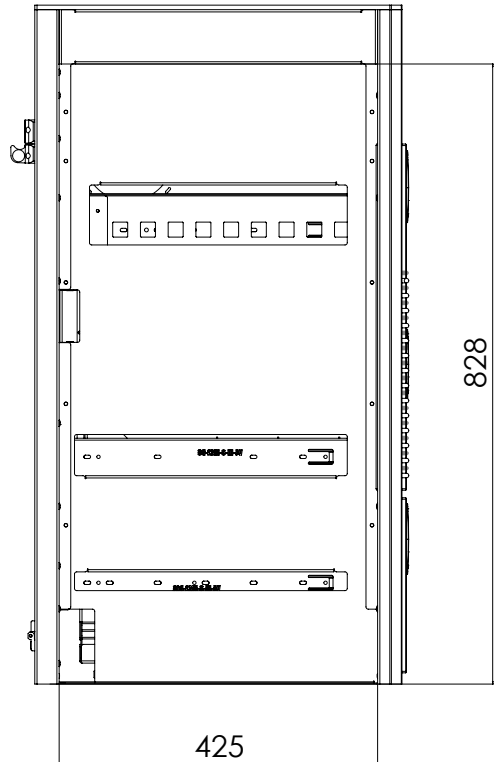
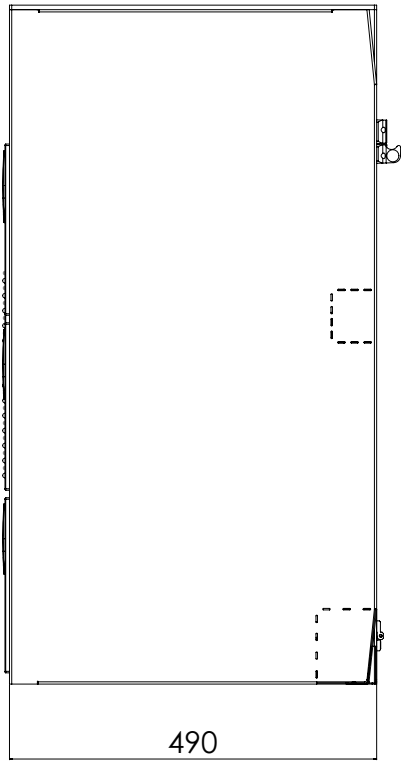
Countertop: 5.6 kg (+/-100g)

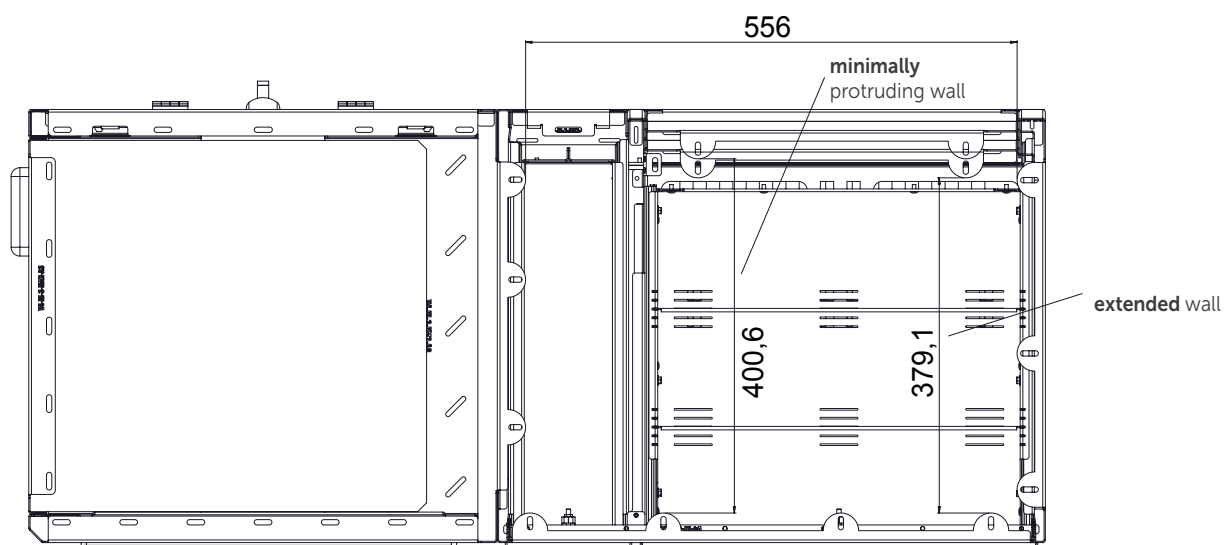
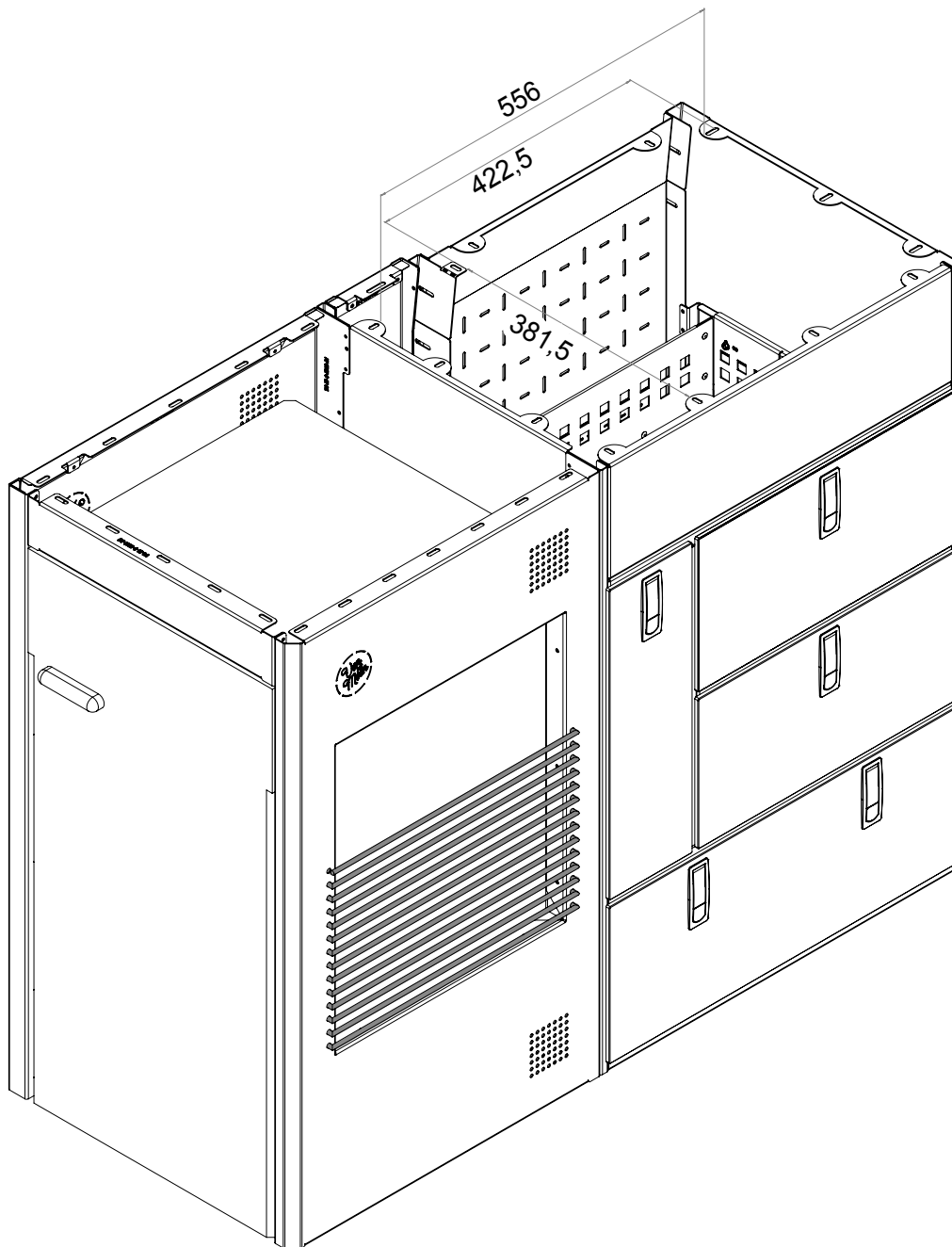
Countertop with sink: 6.7 kg (+/-100g)

Moon Kitchen Solid Model 2

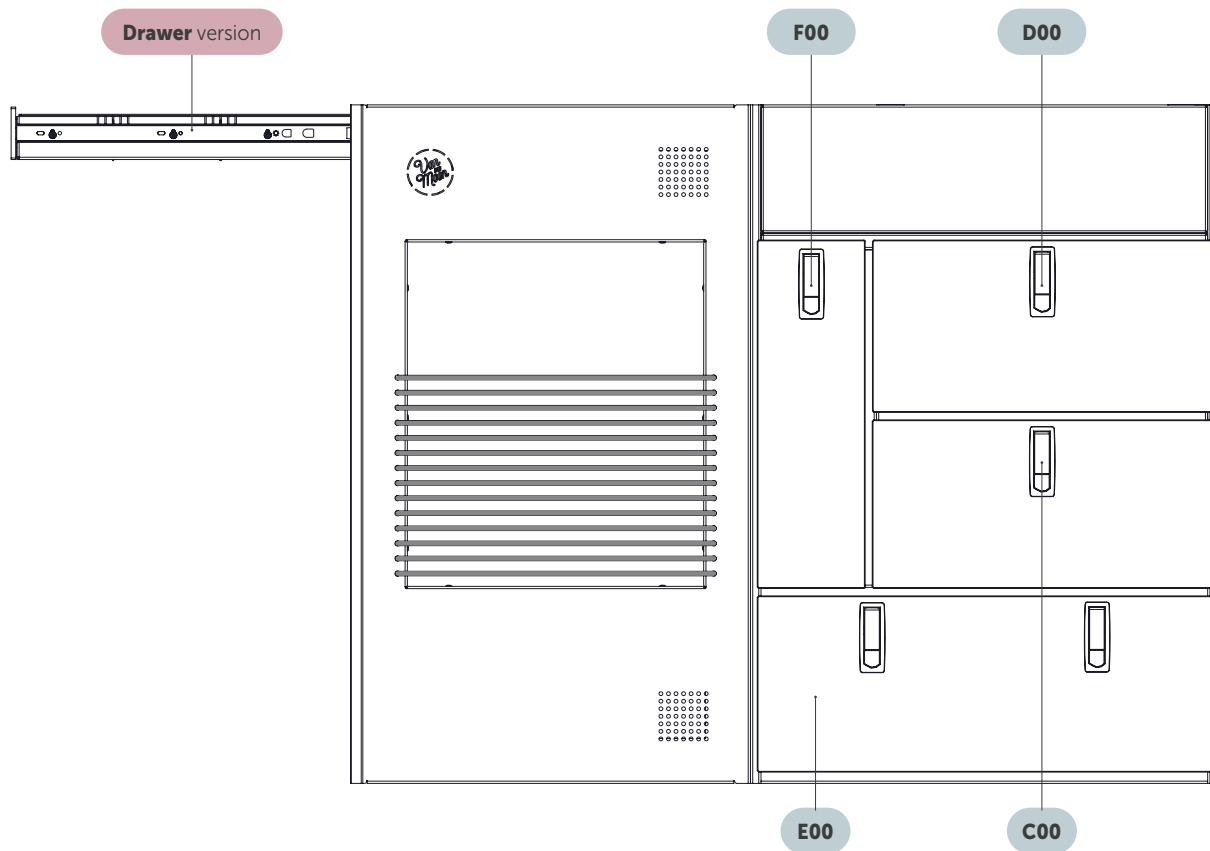
The drawings show the **Front** version.





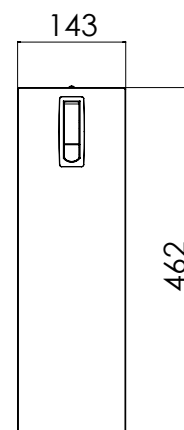
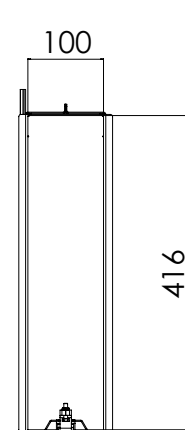
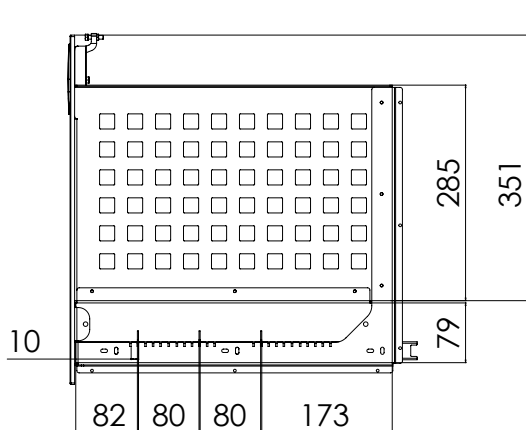
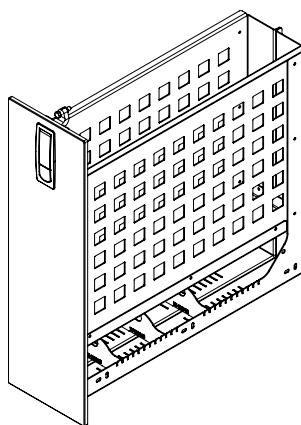


Moon Kitchen Solid Model 2 – drawers



Drawer – F00

Maximum drawer load

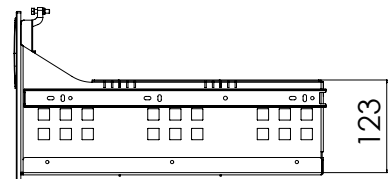
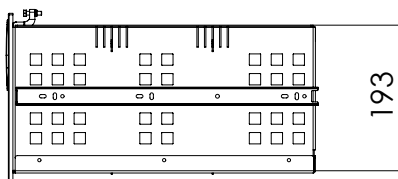
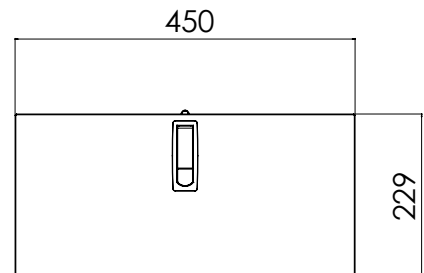
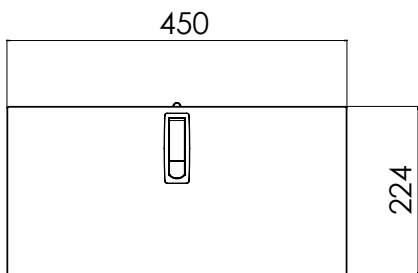
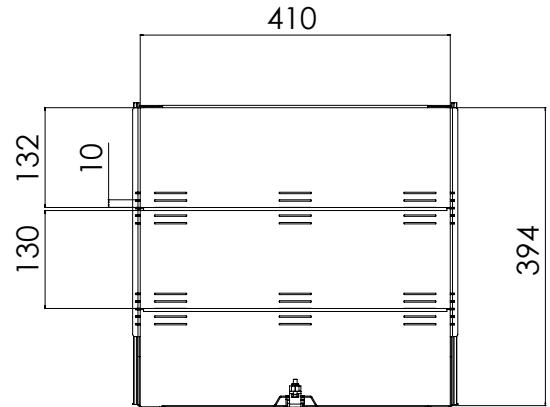
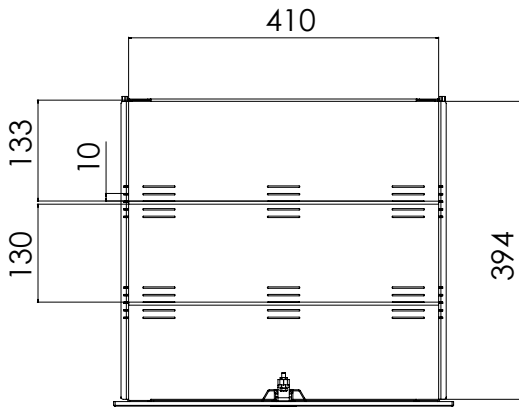
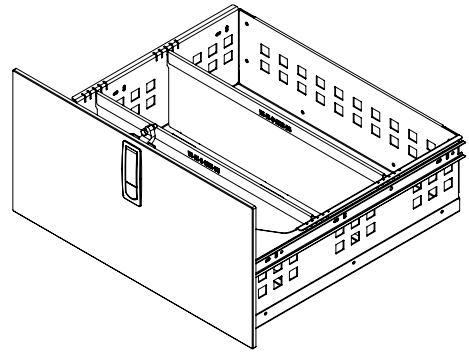
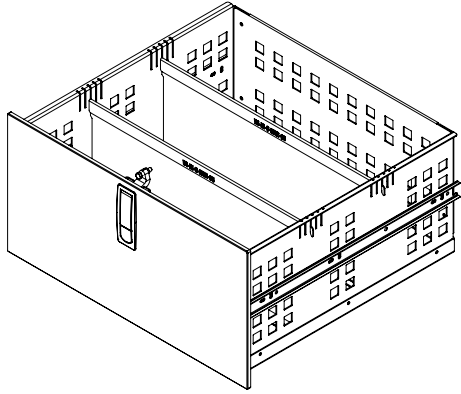


Drawer – C00

Drawer – D00

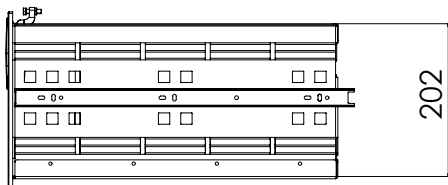
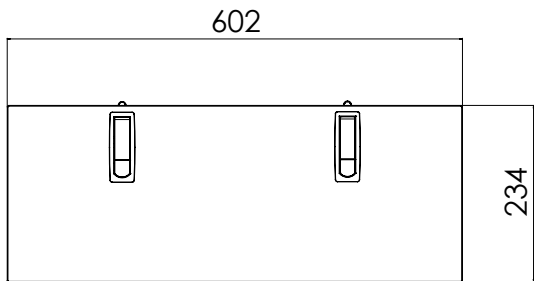
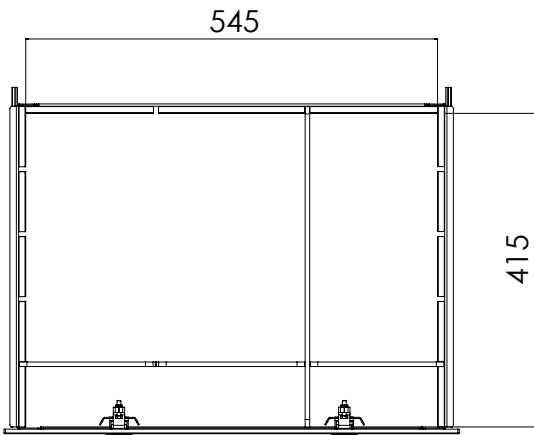
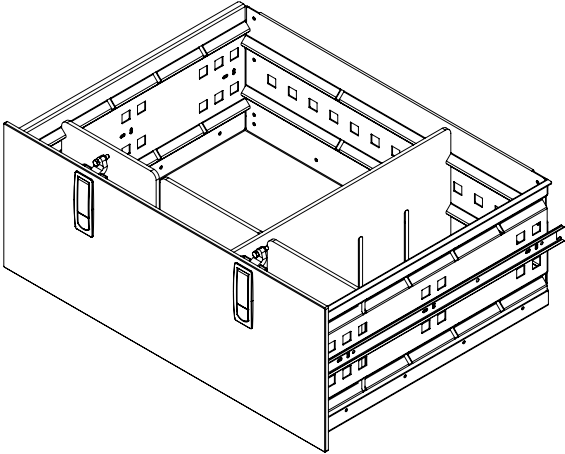
Maximum drawer load

Maximum drawer load



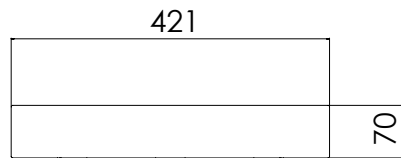
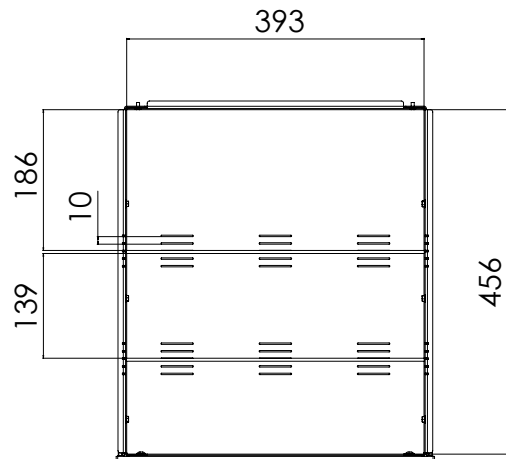
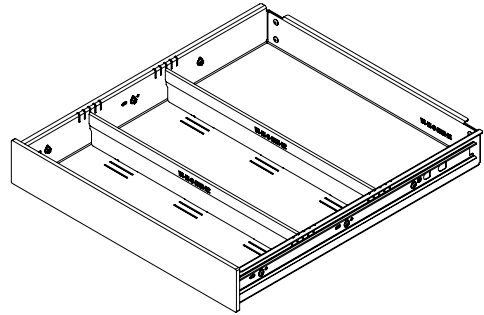
Drawer – E00

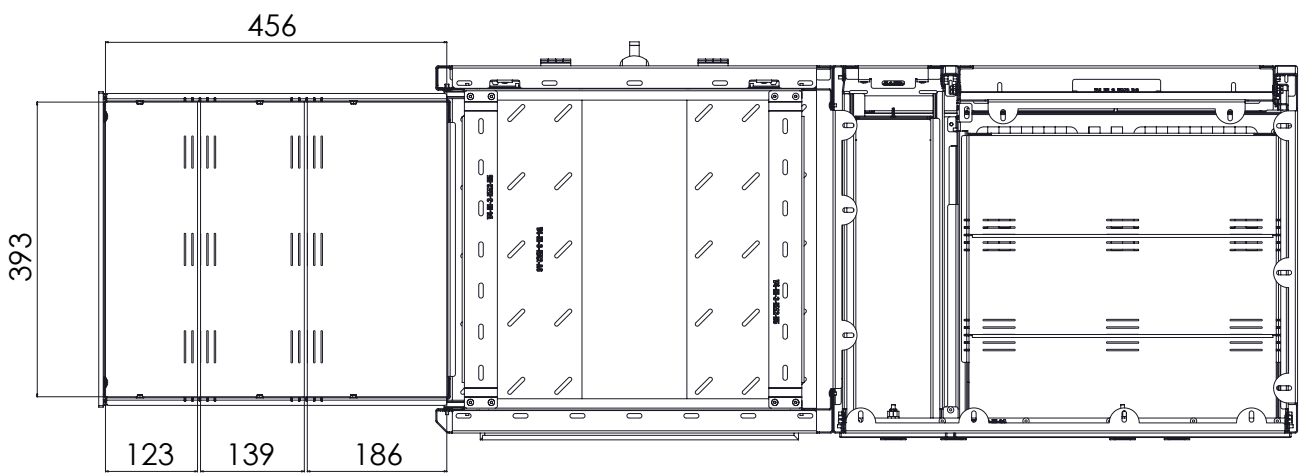
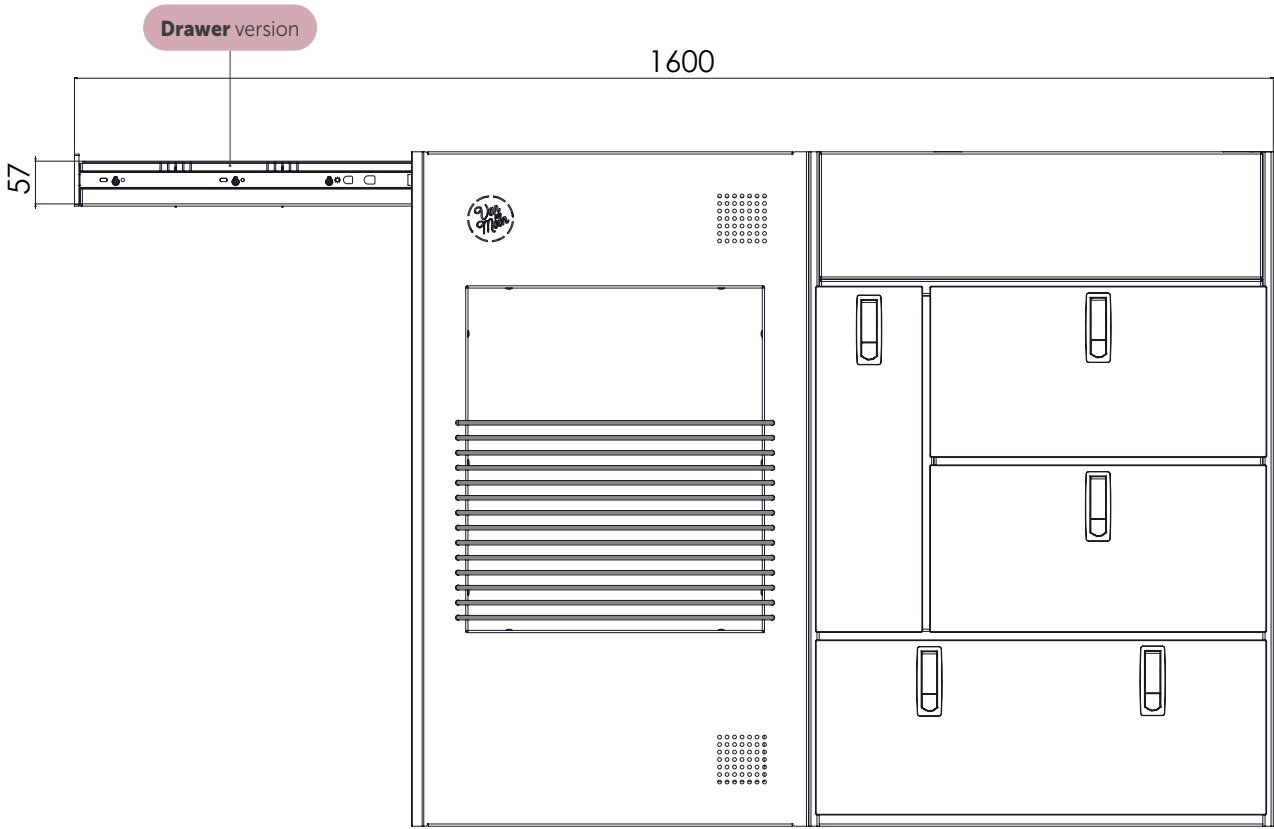
Maximum drawer load



Drawer – H00 version

Maximum drawer load

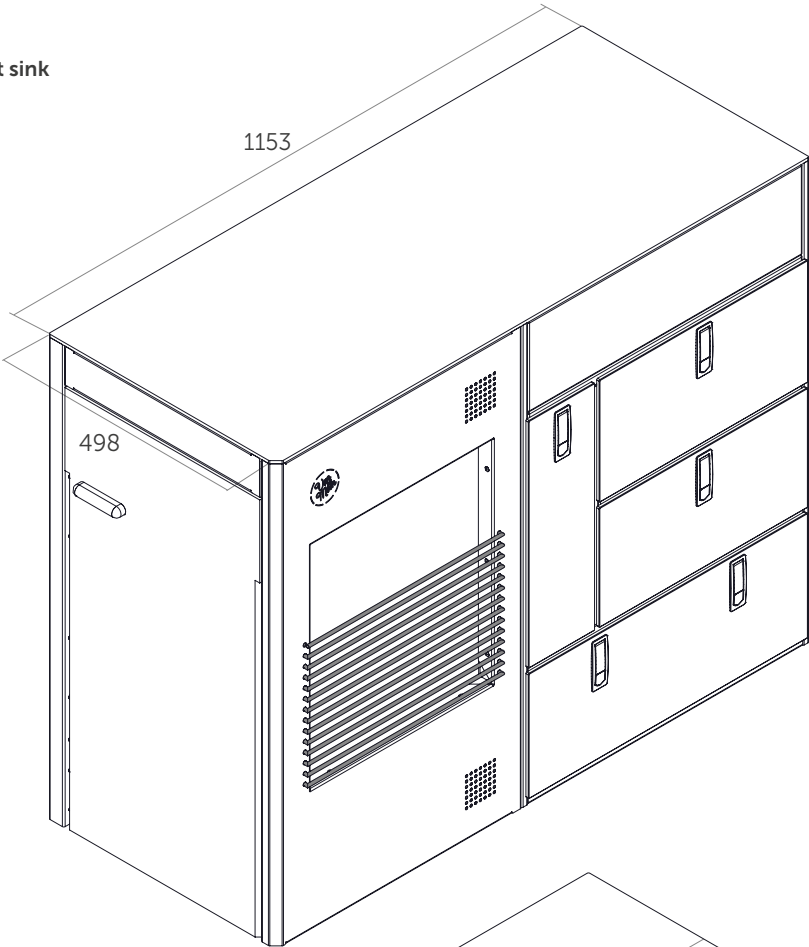




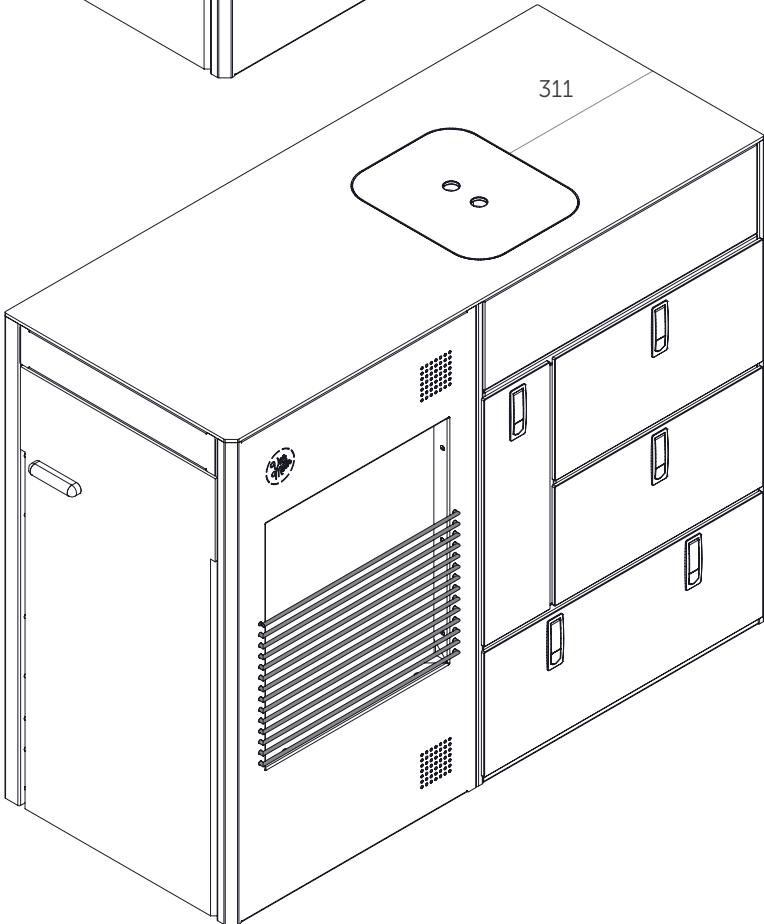
Moon **Kitchen Solid Model 2** – countertop

EN

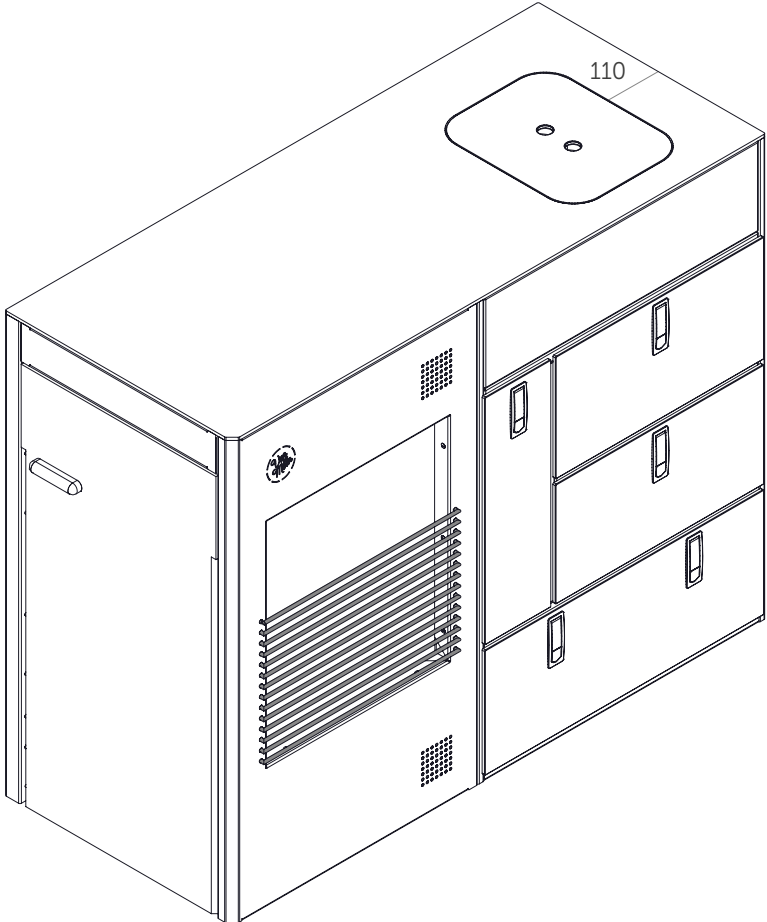
countertop version without sink



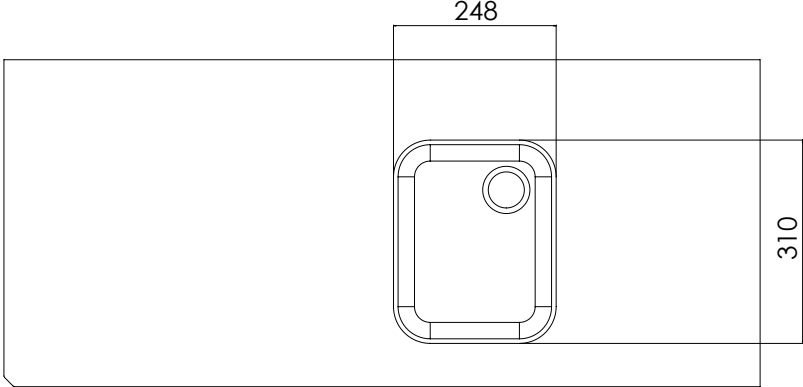
version with sink on the left side

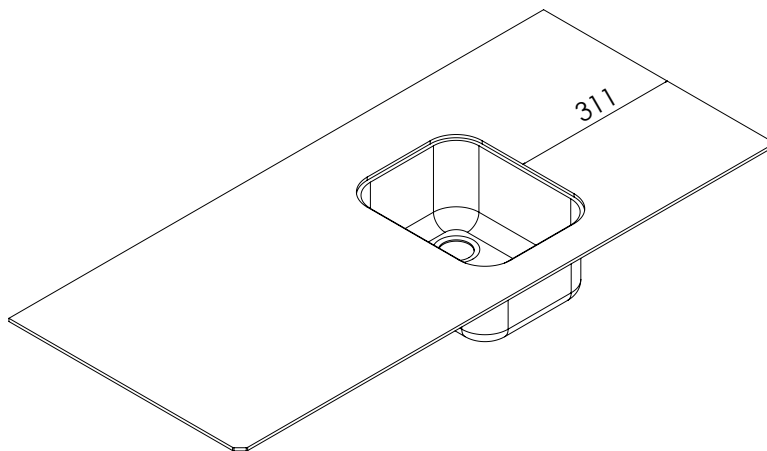
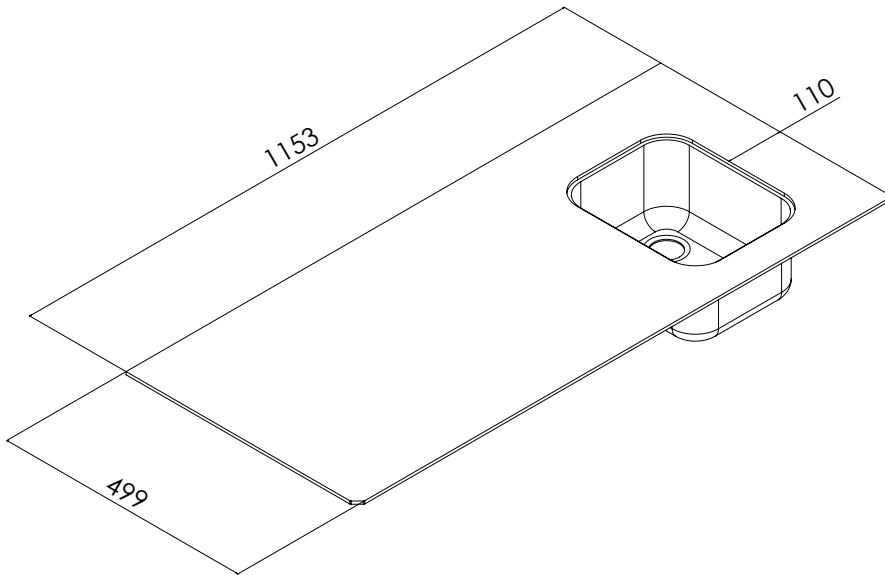
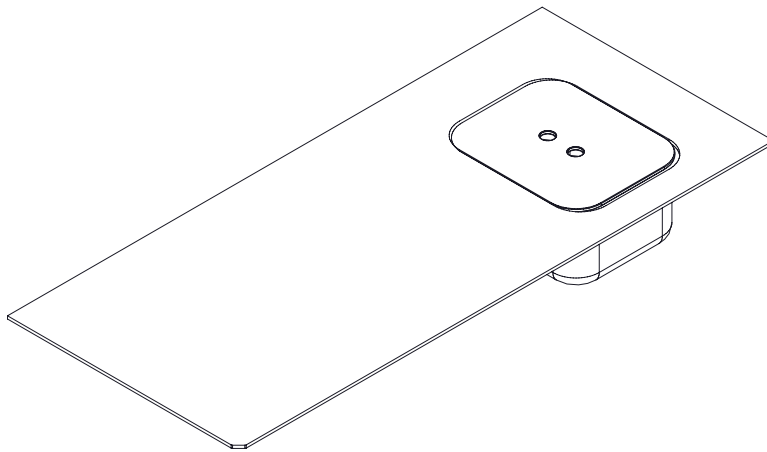


version with sink on the right side



sink dimensions







Cleaning

Surfaces should be cleaned with a soft cloth and mild detergent.

Avoid abrasive materials and harsh chemicals.

Ventilation points should be kept clean.

Wipe dry after cleaning to prevent water stains.



Composition

Aluminium construction, HPL fronts, professional fittings.



Transport and storage

The products are packed in cardboard outer packaging.

During transport, they should be placed horizontally or vertically.

They should be transported in their original packaging..



Disposal of the packaging

The packaging is made of recyclable cardboard, so it should not be thrown away, but disposed of in a landfill in waste paper bins or special containers for cardboard packaging.

Bubble wrap should be disposed of in a plastic and metal container after cleaning it of dirt and labels. If the film is heavily soiled or greasy, it should be disposed of in mixed waste. It is also worth considering reusing the film to protect items before disposing of it.



Precautions

Read and understand all installation instructions before installing the Moon Kitchen Solid unit.

After installation, check the safety of the installation by applying moderate force to test the fastening.

Do not leave Moon Kitchen Solid in direct sunlight – this may cause the material to fade. However, this does not change the mechanical properties of the material.

Protect from moisture.

Keep away from open flames and heat sources.

Follow the guidelines for the maximum load capacity of the model.

Use appropriate tools for installation and opening the packaging to avoid damage.

Periodically check the mounting points and equipment for proper tightness.



www.vandermoon.com



Contact

tel. +48 18 442 33 69
shop@vandermoon.com